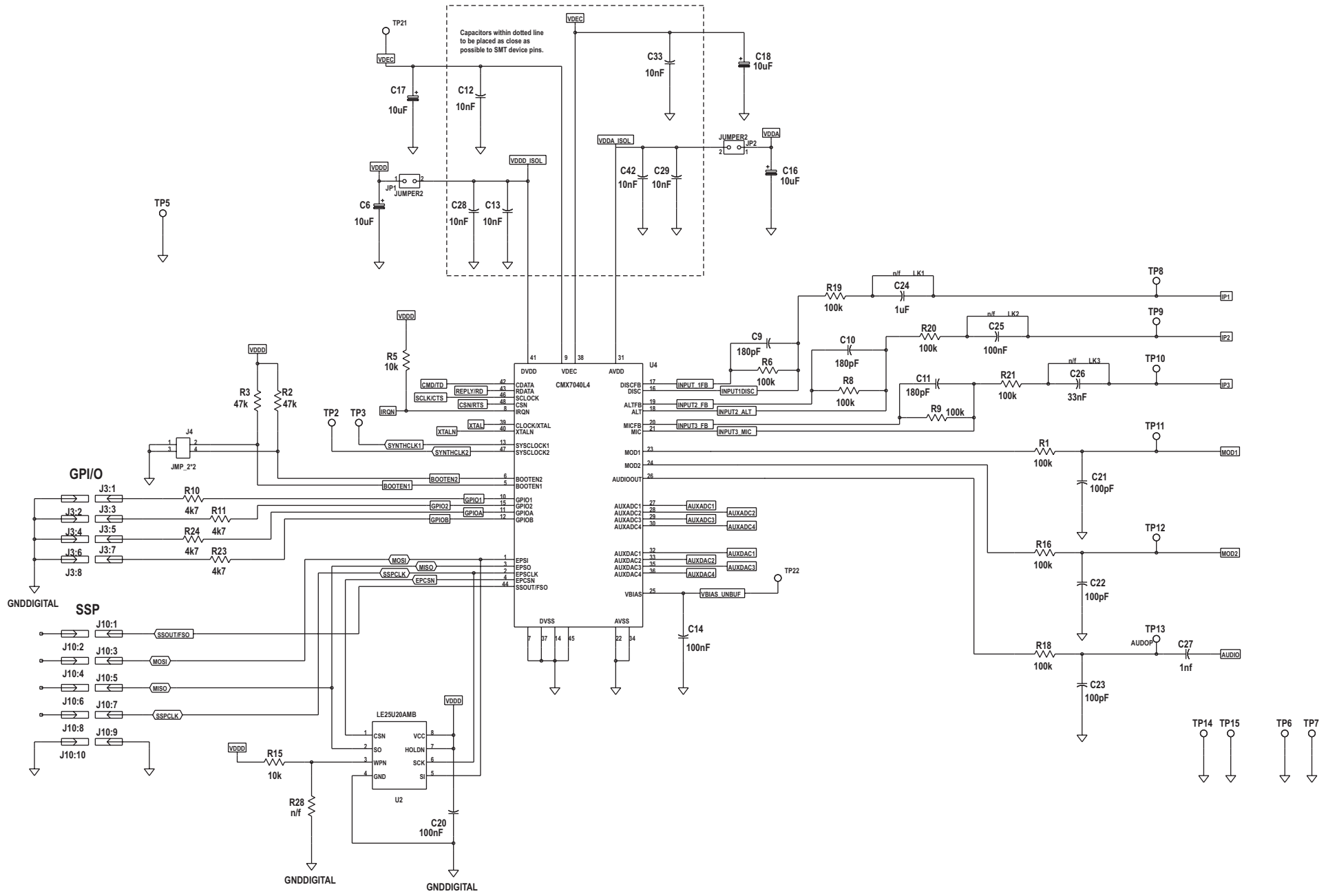




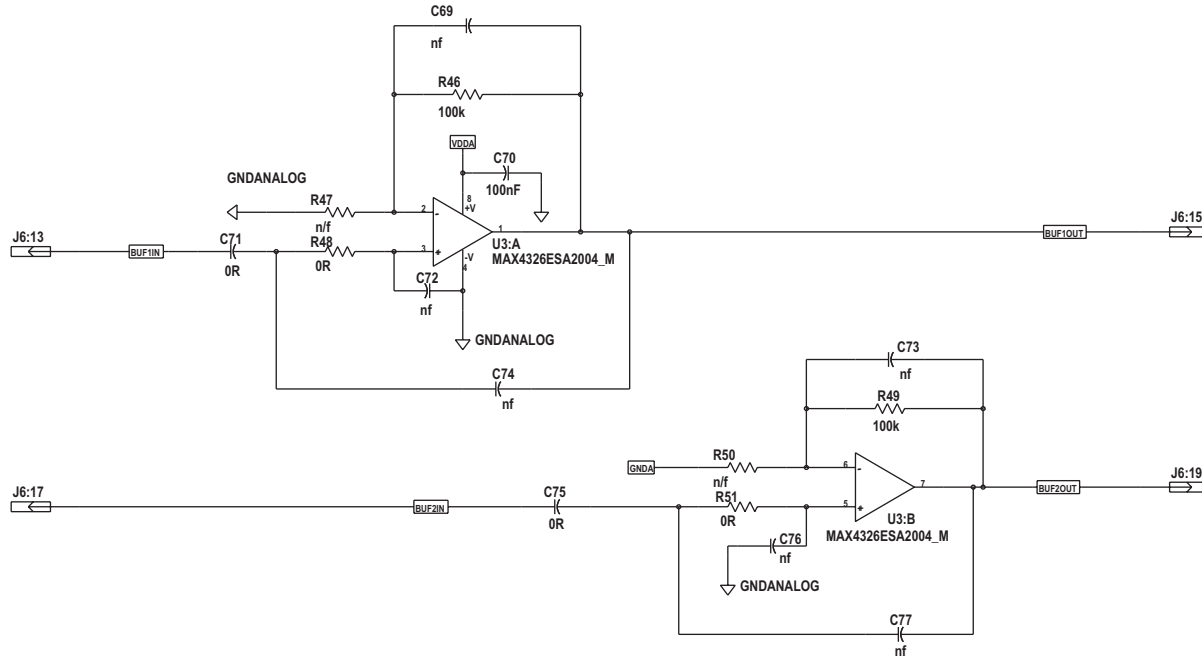
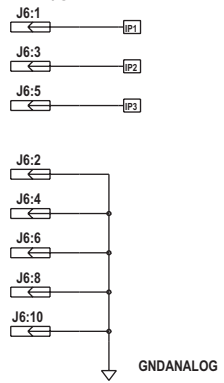
CML Microcircuits

COMMUNICATION SEMICONDUCTORS

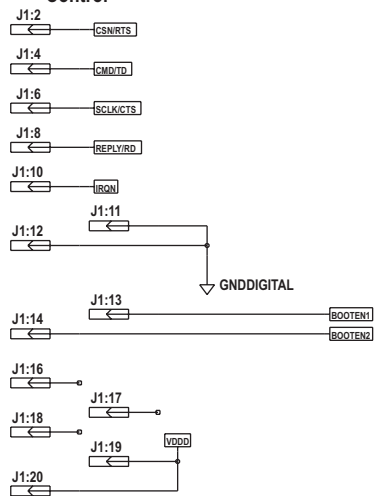
High Resolution Circuit Diagrams for PE0402



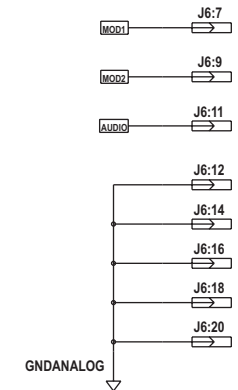
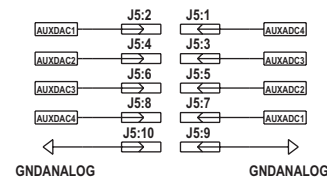
Analogue I/O

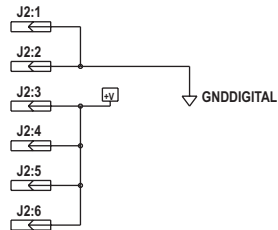
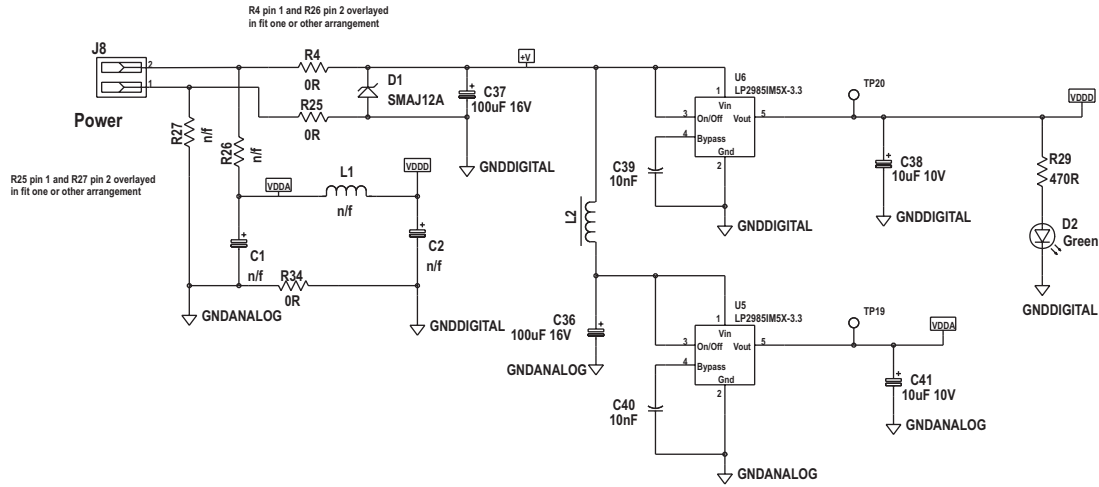


C-Bus Control



Aux. DAC/ADC





Daisy Chain +5volts from PE0002

Device clocking options

